

M12 MAGNET D-CODED STR POE FAST ETHERNET



Image is for illustration purposes only. Please refer to product description.

Part number	21 03 381 2421
Specification	M12 MAGNET D-CODED STR POE FAST ETHERNET
HARTING eCatalogue	https://b2b.harting.com/21033812421

Identification

Category	Connectors
Series	Circular connectors M12
Identification	Magnetics PushPull
Element	PCB adapter
Specification	with integrated transformer Straight incl. housing Power over Ethernet (PoE+) for front mounting

Version

Termination method	Reflow soldering termination (SMT)
Gender	Female
Shielding	Shielded
Number of contacts	4
Coding	D-coding
Locking type	Screw locking PushPull

Technical characteristics

Rated current	3 A
Rated voltage	57 V
Rated impulse voltage	1.5 kV
Pollution degree	3



Pushing Performance
 Since 1945

Technical characteristics

Transmission characteristics	Cat. 5 Class D up to 100 MHz
Data rate	10 Mbit/s 100 Mbit/s
Insulation resistance	$>10^8 \Omega$
Contact resistance	$\leq 10 \text{ m}\Omega$
Tightening torque	2 Nm Lock nut
Limiting temperature	-40 ... +85 °C (during reflow soldering max. +245)
Insertion force	10 N
Withdrawal force	15 N
Mating cycles	≥ 100
Degree of protection acc. to IEC 60529	IP65 / IP67 mated condition
Isolation group	IIIa ($175 \leq \text{CTI} < 400$)
Process Sensitivity Level (PSL)	R7 acc. to ECA/IPC/JEDEC J-STD-075

Material properties

Material (insert)	Liquid crystal polymer (LCP)
Colour (insert)	Black
Material (contacts)	Brass
Surface (contacts)	Au over Ni Mating side
Material flammability class acc. to UL 94	V-0
RoHS	compliant with exemption
RoHS exemptions	6(c): Copper alloy containing up to 4 % lead by weight
ELV status	compliant with exemption
China RoHS	50
REACH Annex XVII substances	Not contained
REACH ANNEX XIV substances	Not contained
REACH SVHC substances	Yes
REACH SVHC substances	Lead
ECHA SCIP number	0d7d3693-d625-47ab-934a-d241bf72c86e
California Proposition 65 substances	Yes
California Proposition 65 substances	Lead Nickel Naphthalene
Fire protection on railway vehicles	EN 45545-2 (2020-08)

Material properties

Requirement set with Hazard Levels R26

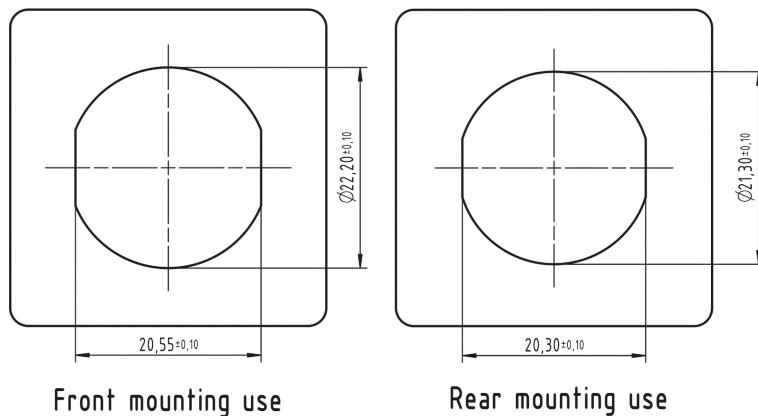
Specifications and approvals

Specifications IEC 61076-2-101

Commercial data

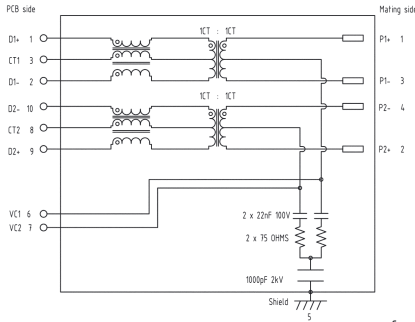
Packaging size	1
Net weight	1 g
Country of origin	China
European customs tariff number	85366990
GTIN	5713140228849
eCl@ss	27460201 PCB connector (board connector)

Panel cut out

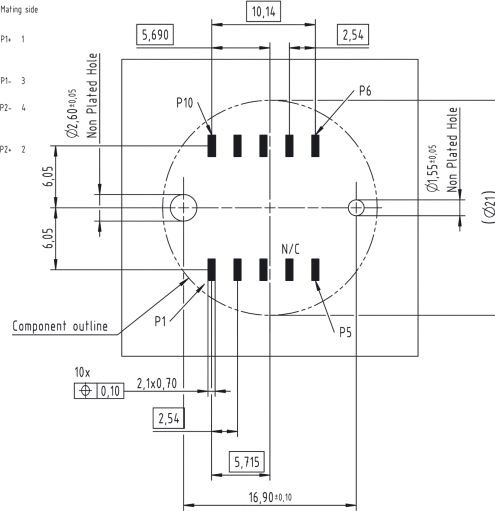


General information

Schematic



Recommended PCB Layout



Electrical Characteristics @+25°C unless otherwise noted
 Meets IEEE802.3 specification
 RoHS compliant

Parameter	Specification/ Limit Values
Operating Temperature	-40°C - +85°C
Turn Ratio (+/- 2%)	1CT : 1CT
Current Capacity Pins 1-B/ VC1-VC4	750mA DC
OCL	min 350µH @ 100KHz , 100mV with 8mA bias current
Isolation (Input- Output)	2.25kV VDC , for 60sec. min f ≤ 100MHz
Insertion Loss	1.3 dB
Return Loss	9 dB
Crosstalk	30 dB
CMRR	30 dB
CDMR	30 dB

NOTE: 1. f is the frequency in MHz
 2. The Product has been tested for DC isolation. HARTING assumes no liability or obligation for AC isolation testing.